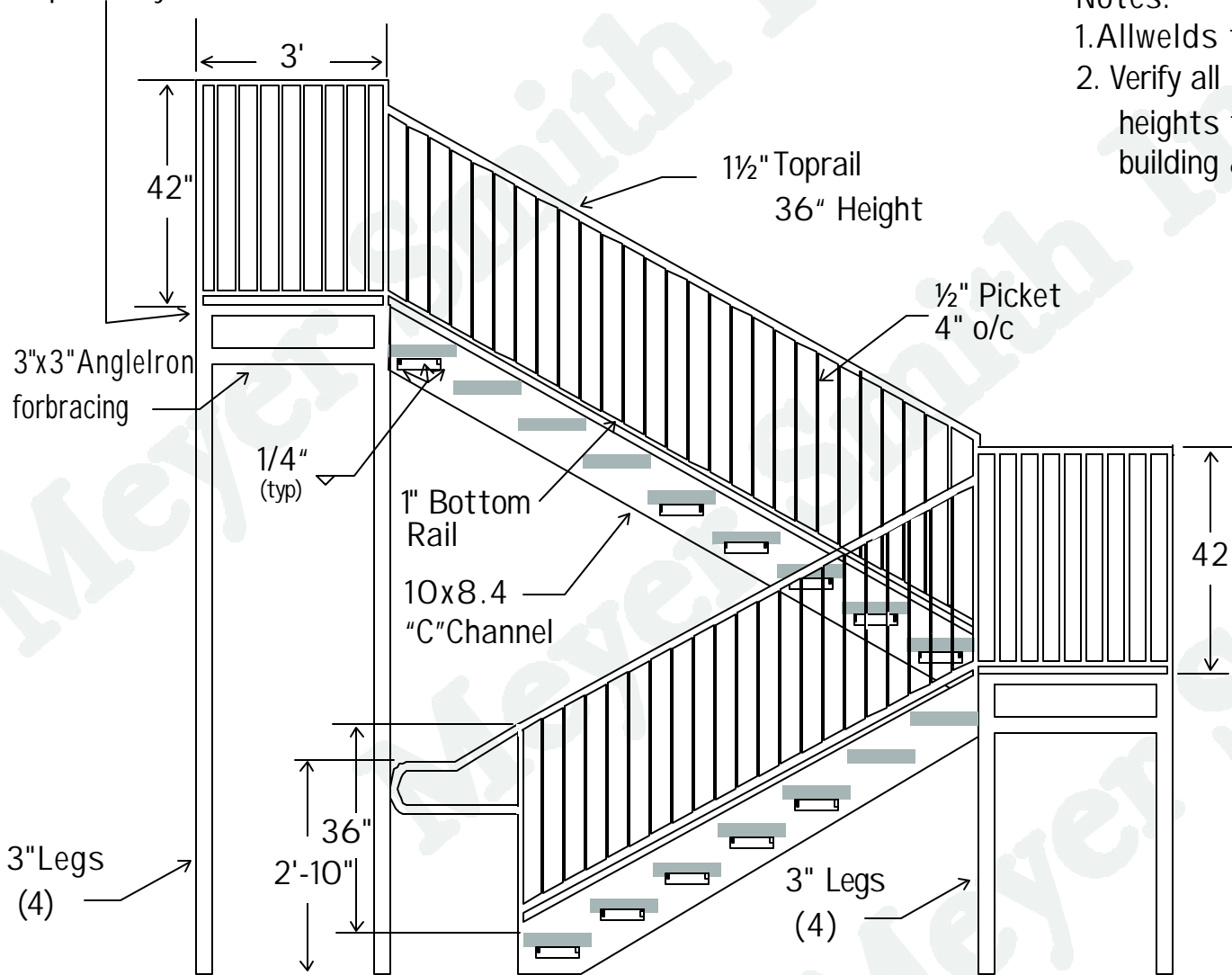


2"x2" Angle Iron to
form landing. To be
completed by others.



Notes:

1. All welds to be ground smooth
2. Verify all widths & floor to floor heights for each stair at each building & related floors

18 Risers @ 6.88"
12" x 36"
Concrete Tread

for printable file-
jscott@meyersmithinc.com

SCALE 3/8" = 10"

Stair Switchback w/Landing

Drwg.#

Date 10-29-01

Meyer Smith Inc.

Drawn By: JRS

800.729.9063